

# SINGLE CHUTE SYSTEMS



Centralising waste disposal on each residential levels.



Flexible and disproc design to suite any type of building.



Reducing waste management cost.

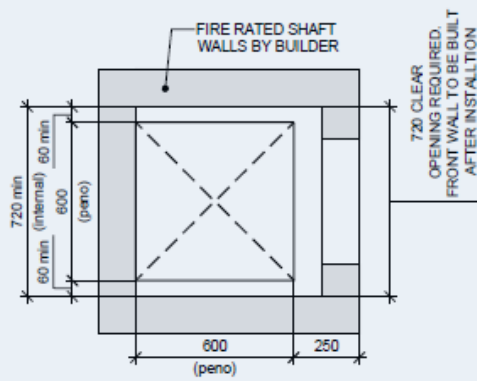


Eliminating bad waste odours throughout residential levels.

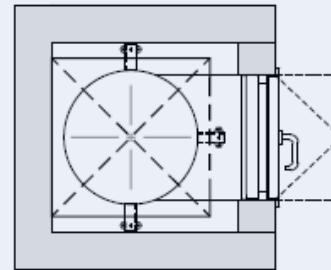




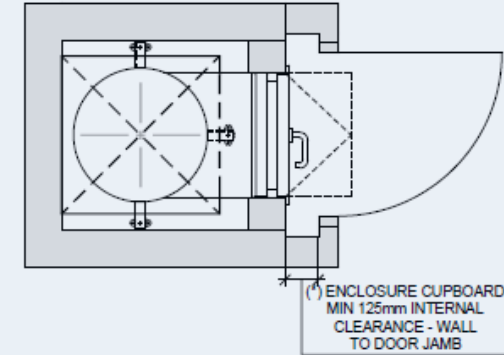
# Single 510mm Setout



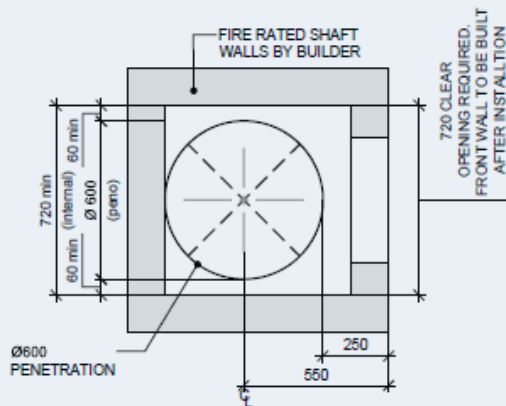
— SINGLE (510Ø) GALV. STEEL CHUTE PENETRATION SET-OUT  
SCALE 1:20



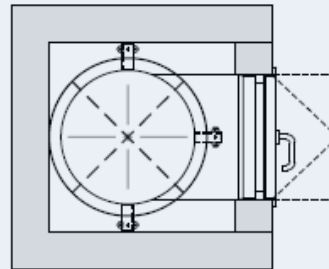
— SINGLE (510Ø) GALV. STEEL CHUTE LAYOUT



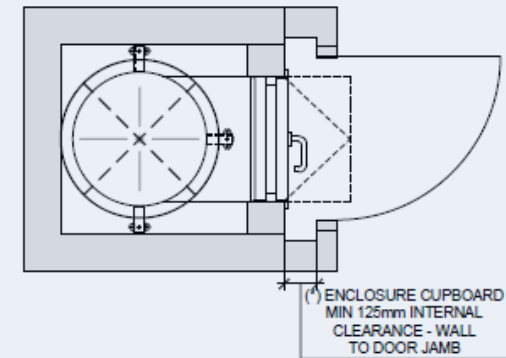
— SINGLE (510Ø) GALV. STEEL CHUTE LAYOUT with ENCLOSURE CUPBOARD (\*)  
SCALE 1:20



— SINGLE (510Ø) GALV. STEEL CHUTE CIRCULAR PENETRATION SET-OUT  
SCALE 1:20



— SINGLE (510Ø) GALV. STEEL CHUTE LAYOUT (W/ CIRCULAR PENETRATION)



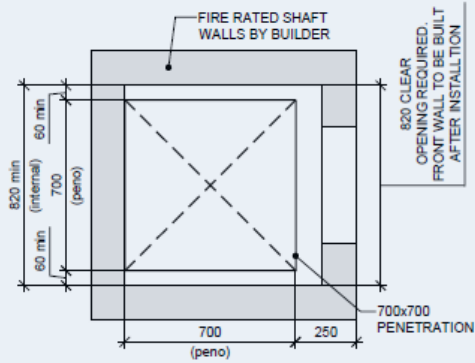
— SINGLE (510Ø) GALV. STEEL CHUTE LAYOUT with ENCLOSURE CUPBOARD (\*)  
SCALE 1:20

**NOTE:** ENCLOSURES ARE RECOMMENDED IF THE CHUTE OPENS DIRECTLY TO A CORRIDOR OR IS NOT LOCATED IN A WASTE ROOM. IF CHUTE ACCESS IS WITHIN A WASTE ROOM THEN THE CUPBOARD ENCLOSURES ARE NOT REQUIRED.

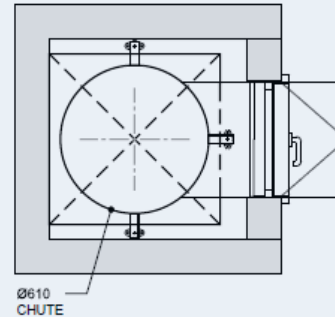




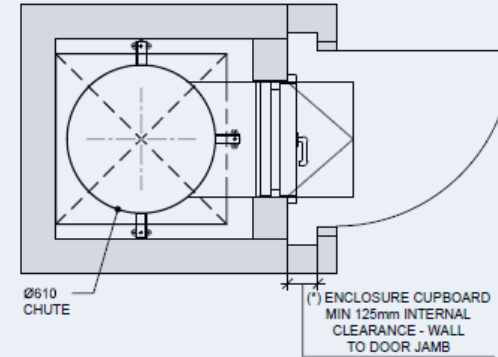
## Single 610mm Setout



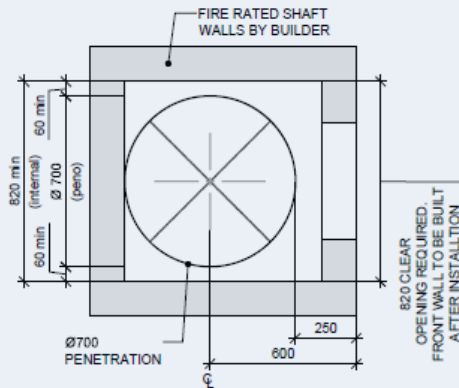
— SINGLE (610Ø) GALV. STEEL CHUTE PENETRATION SET-OUT  
SCALE 1:20



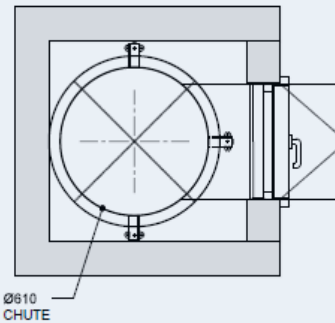
— SINGLE (610Ø) GALV. STEEL CHUTE LAYOUT  
SCALE 1:20



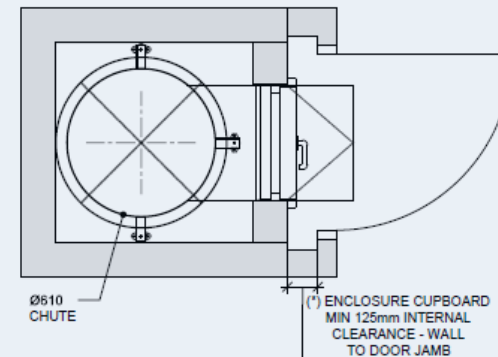
— SINGLE (610Ø) GALV. STEEL CHUTE LAYOUT with ENCLOSURE CUPBOARD (\*)  
SCALE 1:20



— SINGLE (610Ø) GALV. STEEL CHUTE CIRCULAR PENETRATION SET-OUT  
SCALE 1:20



— SINGLE (610Ø) GALV. STEEL CHUTE LAYOUT  
SCALE 1:20



— SINGLE (610Ø) GALV. STEEL CHUTE LAYOUT with ENCLOSURE CUPBOARD (\*)  
SCALE 1:20

**NOTE:** ENCLOSURES ARE RECOMMENDED IF THE CHUTE OPENS DIRECTLY TO A CORRIDOR OR IS NOT LOCATED IN A WASTE ROOM. IF CHUTE ACCESS IS WITHIN A WASTE ROOM THEN THE CUPBOARD ENCLOSURES ARE NOT REQUIRED.

