



Chute Solutions.™
an Elephants Foot Company

DUAL CHUTE SYSTEMS



Centralising two main waste streams waste and recycling.



No need for recycling bins on each level.

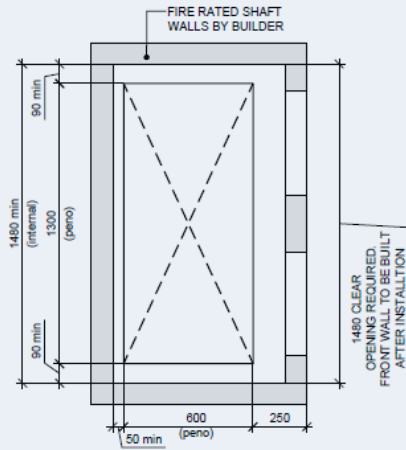


Reduction in cleaning and maintenance frequencies.

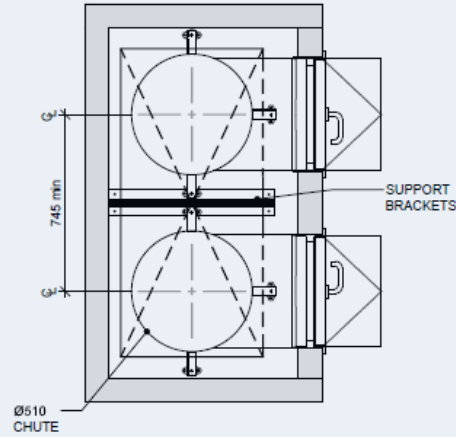




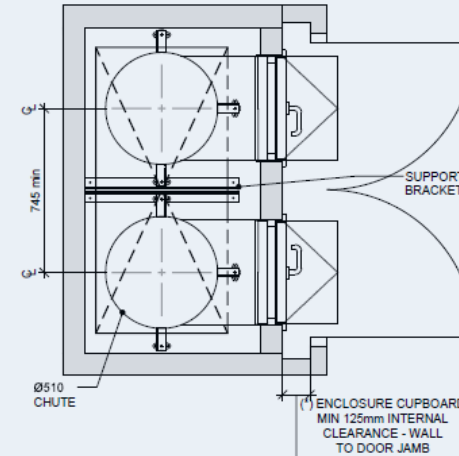
Dual 510mm Setout



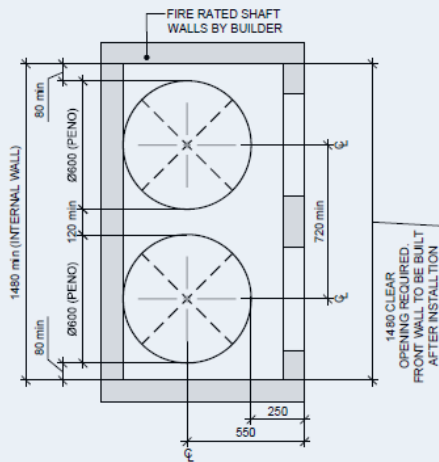
1 DUAL (510Ø) GALVANISED STEEL CHUTE LAYOUT PENETRATION SET-OUT SCALE 1:20



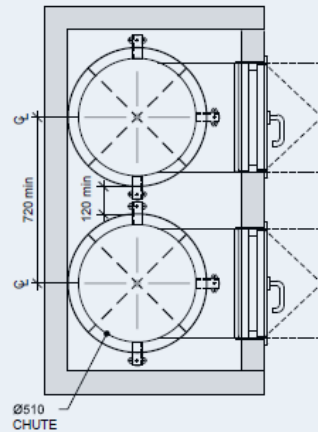
1 DUAL (510Ø) GALVANISED STEEL CHUTE LAYOUT SCALE 1:20



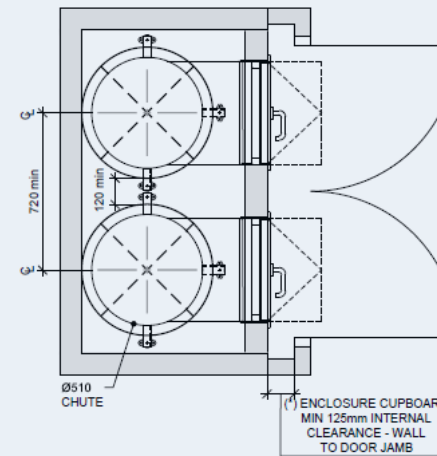
1 DUAL (510Ø) GALVANISED STEEL CHUTE LAYOUT with ENCLOSURE CUPBOARD (*)



1 DUAL (510Ø) STEEL CHUTE CIRCULAR PENETRATION SET-OUT SCALE 1:20



1 DUAL (510Ø) GALVANISED STEEL CHUTE LAYOUT SCALE 1:20

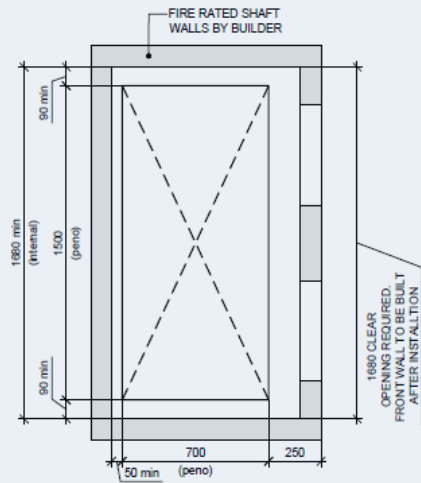


1 DUAL (510Ø) GALVANISED STEEL CHUTE LAYOUT SCALE 1:20

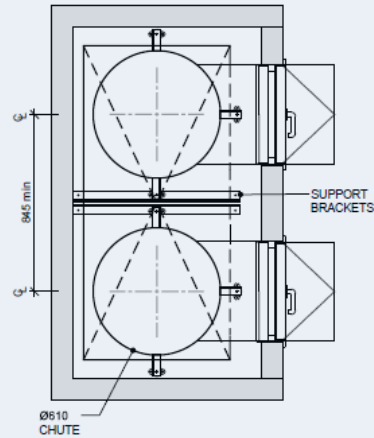
NOTE: ENCLOSURES ARE RECOMMENDED IF THE CHUTE OPENS DIRECTLY TO A CORRIDOR OR IS NOT LOCATED IN A WASTE ROOM. IF CHUTE ACCESS IS WITHIN A WASTE ROOM THEN THE CUPBOARD ENCLOSURES ARE NOT REQUIRED.



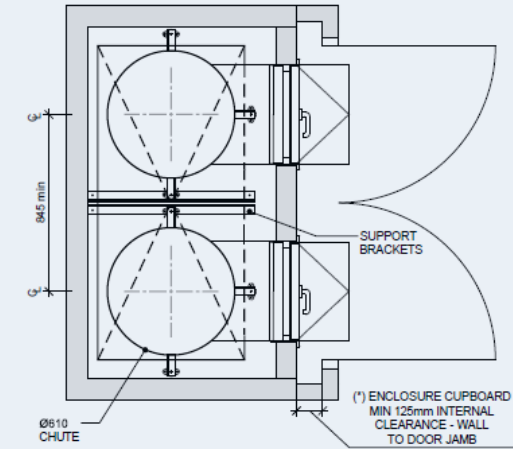
Dual 610mm Setout



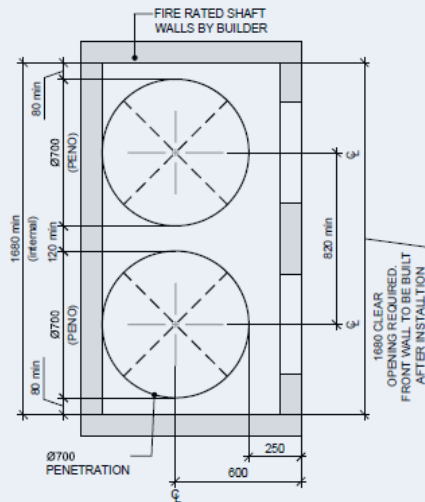
1 DUAL (610Ø) GALVANISED STEEL CHUTE LAYOUT PENETRATION SET-OUT
SCALE 1:20



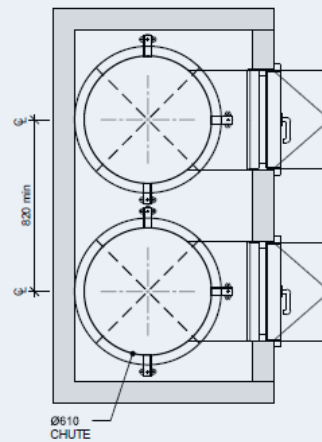
2 DUAL (610Ø) GALVANISED STEEL CHUTE LAYOUT
SCALE 1:20



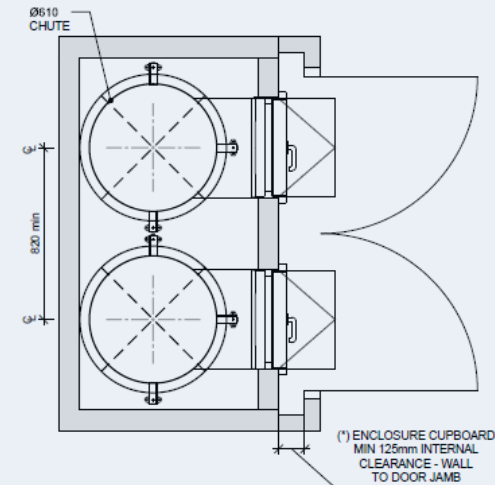
3 DUAL (610Ø) GALVANISED STEEL CHUTE LAYOUT with ENCLOSURE CUPBOARD (*)
SCALE 1:20



4 DUAL (610Ø) GALVANISED STEEL CHUTE LAYOUT CIRCULAR PENETRATION SET-OUT
SCALE 1:20



5 DUAL (610Ø) GALVANISED STEEL CHUTE LAYOUT
SCALE 1:20



6 DUAL (610Ø) GALVANISED STEEL CHUTE LAYOUT with ENCLOSURE CUPBOARD (*)
SCALE 1:20

NOTE: ENCLOSURES ARE RECOMMENDED IF THE CHUTE OPENS DIRECTLY TO A CORRIDOR OR IS NOT LOCATED IN A WASTE ROOM. IF CHUTE ACCESS IS WITHIN A WASTE ROOM THEN THE CUPBOARD ENCLOSURES ARE NOT REQUIRED.