

## EF 100VX



The EF100VX is a low height baler making it easy to transport and install with no on site assembly required. It is a low noise baler with a fast cycle time and front loading ropes. EF100VX baler produces bales of cardboard up to 90kg. It can be used to bale a range of materials including plastic film, shredded paper and cardboard.

### Benefits:

- Low noise
- Fast cycle time
- Two hand control for safe bale ejection
- Produces up to 90 kg bale cardboard
- Visual bale full indicator informs operator when bale is full
- Automatic cycle saves labour time
- Press plate mounted tape cutter & easy tie system saves time
- Front loaded ropes
- User friendly push button controls
- Robustly constructed for long life
- CE Marked
- IP55 rated so machine can be situated outdoors

### Product information

- H x W x D (mm): 1945x1265x835
- Feed opening (mm): 670x800
- Weight (kg): 650
- Cycle Time (sec): 18
- Compaction force(T): 10
- Power Supply (V): 230/400 (three phase)
- Motor (kW): 4
- Noise Level (DBA) 60

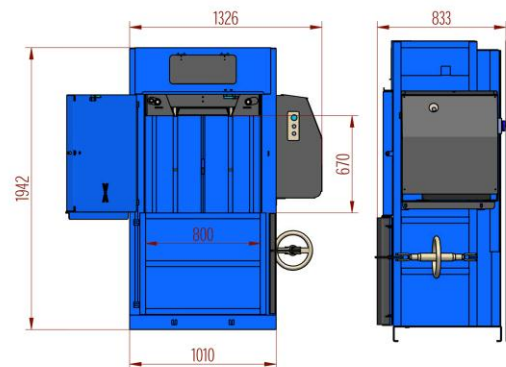
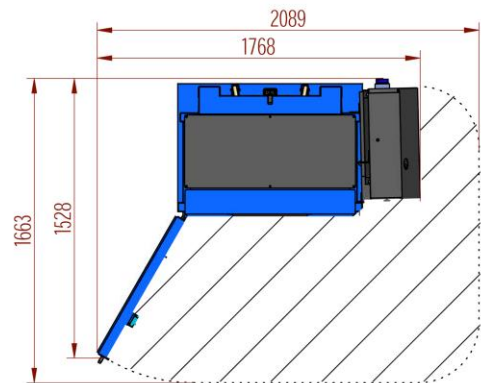
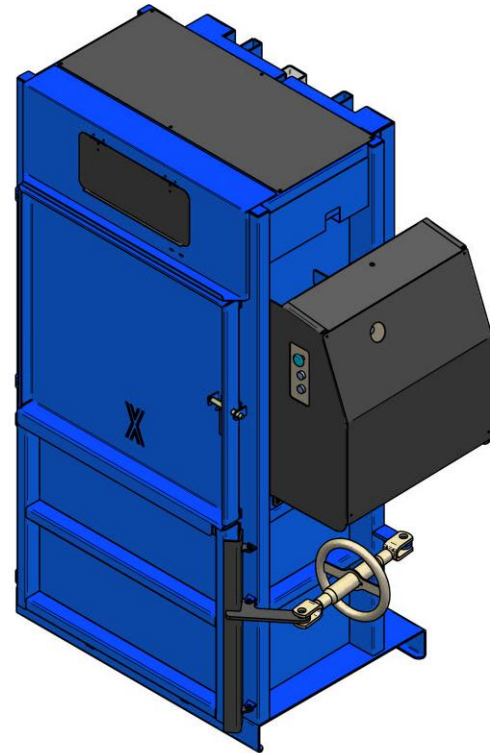
### Bale Dimensions:

- H x W x D (mm): 800x600x600
- Bale Weight (kg): Up to 90 (cardboard)

### Standard EF100VX is supplied with:

- Mechanical bale ejection
- 2 rolls of baling cord
- Emergency stop
- Electronic bale full indicator

Description	Specification
Machine Dimensions H x W x D (mm)	1945x1265x835
Machine Weight (kg)	650
Feed Opening H x W (mm)	670x800
Bale Size H x W x D (mm)	800x600x600
Bale Weight (cardboard)	Up to 90 kg
Compaction Force	10 Tonnes
Motor	4kW
Electric Supply	400/230 volt
Cycle Time (sec)	18
Type of Tie/No. of ties	9mm Tape/ 2 off
Type/No. of Retaining Claws Front	Serrated edge / 2 off
Type/No. of Retaining Claws Rear	Serrated edge / 2 off
Method of Removing Bales	Mechanical Ejection
Depth of Chamber Below Feed Opening (mm)	700
Access for Forklift/Pallet Truck	Yes, Side
Electric Rating Standard	IP55
Electric Rating Optional	IP65
Sound Level	60 dBA



Elephants Foot reserves the right to alter specification without prior notice.

Bale weights given are guidelines only, actual bale weights depend on operator and material baled